

Specifications

CONTRACTOR NOTES

SELECT MANUFACTURERS LISTED OR APPROVED EQUALS (BY OWNER).

CONTRACTOR TO REVIEW ALL SUBMITTALS AND SHOP DRAWINGS FOR COMPLIANCE WITH THE DRAWINGS AND SPECIFICATIONS BEFORE ORDERING MATERIALS.

EXTERIOR WOOD SIDING:

4" T&G WOOD SIDING WITH "V" GROOVE. BACK-PRIME ALL EXTERIOR WOOD SIDING. FINAL PAINT COLOR AS SELECTED BY OWNER.

METAL ROOFING:

MATCH EXISTING.

WOOD SPECIALTIES:

"ARVID'S WOODS", 800-627-8437

GYPSUM WALLBOARD: (GWB)

5/8" TYPE "X" UNLESS OTHERWISE NOTED. WATER RESISTANT (WR) ON PLUMBING WALLS IN RESTROOMS AND BATHROOMS.

EXTERIOR GYPSUM SHEATHING: (GYP. SHTG.) (RATED WALLS) 5/8" TYPE "X", WATER-RESISTANT MATERIAL SURFACED ON FACE, BACK AND LONG EDGES WITH WATER REPELLENT PAPER, COMPLYING WITH ASTM C 79.

INSULATION:

FIBERGLASS BATT, ASTM C 665, TYPE 1 (UNFACED), VAPOR BARRIER 6 MIL POLYETHYLENE, ASTM D 4397, RIGID INSULATION; EXTRUDED POLYSTYRENE.

HISTORIC WOOD DOORS: (TYPES A & B)

FABRICATED BY "CHERRY CREEK DOOR & WINDOW CO.", SEATTLE, WA (206-463-3821), STAIN OR PAINT COLOR PER OWNER.

INTERIOR WOOD DOORS: (TYPE E)

SOLID CORE (SC) (PARTICLEBOARD CORE 5 OR 7 PLY), FIR FACE, AWI CUSTOM GRADE, SATIN (TRANSPARENT FINISH), STAIN COLOR PER OWNER.

DOOR HARDWARE:

MATCH EXISTING.

WOOD WINDOWS:

DOUBLE-HUNG; FABRICATED BY "CHERRY CREEK DOOR & WINDOW CO.", SEATTLE, WA (206-463-3821). SINGLE-GLAZED, 1/4" TEMPERED PLATE GLASS, SAFETY GLASS AS REQUIRED BY CODE. PAINT COLOR AS SELECTED BY OWNER.

FLOORING:

"PERGO", COLOR & PATTERN AS SELECTED BY OWNER.

FLOOR BASE:

4" WOOD, STAIN OR COLOR AS SELECTED BY OWNER.

PAINT:

GWB = SEMI-GLOSS, 1 COAT LATEX PRIMER, 2 COATS LATEX FINISH, TEXTURE AS DETERMINED BY OWNER

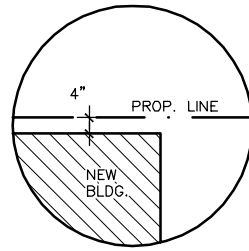
PLYWD = FLAT, 1 COAT INTERIOR ALKYD ENAMEL UNDERCOAT, 1 COAT LATEX ENAMEL.

METAL = SEMI-GLOSS, 1 COAT RUST-INHIBITING PRIMER (IF REQUIRED), 2 COATS LATEX ENAMEL.

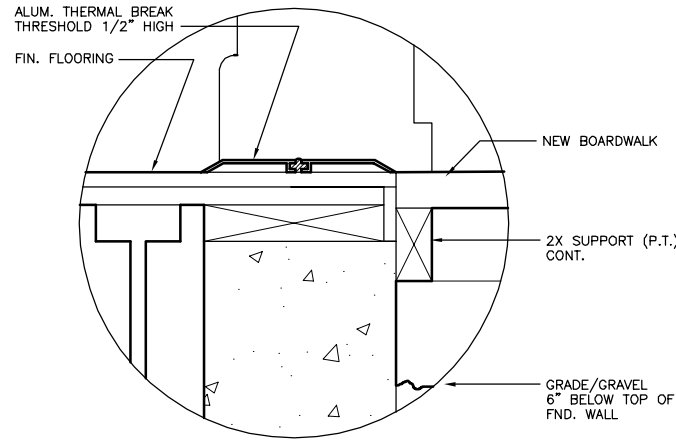
NOTE: ALL COLORS AS SELECTED BY OWNER.
NOTE: BACK-PRIME ALL EXTERIOR WOOD SIDING.

FIRE EXTINGUISHERS: (FE)

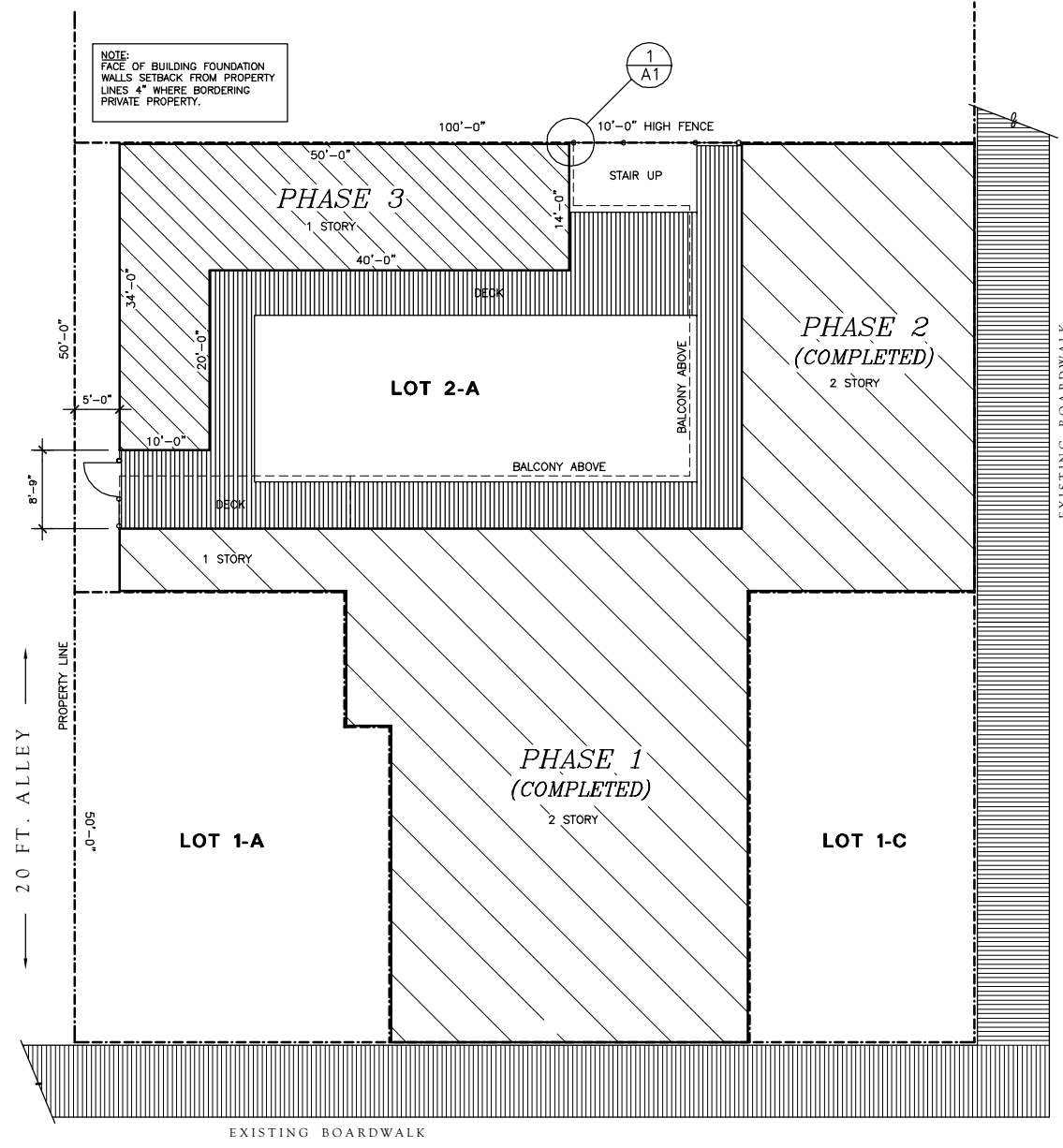
WALL MTD. DRY CHEMICAL, CLASSIFICATION 2-A: 10-BC, 5 LBS., SEE PLANS FOR LOCATIONS.



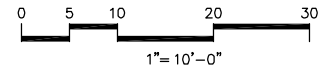
1 PROPERTY LINE DETAIL
SCALE: 1/2" = 1'-0" D:\CAD\0314



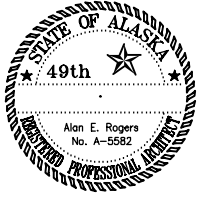
2 SILL DETAIL
SCALE: 3" = 1'-0" D:\CAD\0314



A SITE PLAN
SCALE: 1" = 10'-0" D:\CAD\0314



A.E. Roger
ARCHITECTS, LLC
P.O. Box 34401 • Juneau, Alaska 9980
Tele 907.789.7589 Fax 907.789.163



AK Fire Marshal Review No. 2005J-0048

CONSTRUCTION DOCUMENTS
SKAGWAY BAZAAR BUILDING - PH. 3
 6th Avenue & Broadway
 Skagway, Alaska 99840

Number	Date	By	Description of Revisions

Sheet Title
SITE PLAN
DETAILS
SPECIFICATIONS

Scale AS SHOWN (HALF SCALE AT 11X17)
 Designed AER Drawn AER
 Date NOV 3, 2004 Checked AER
 Approved By AER Job Number 0314