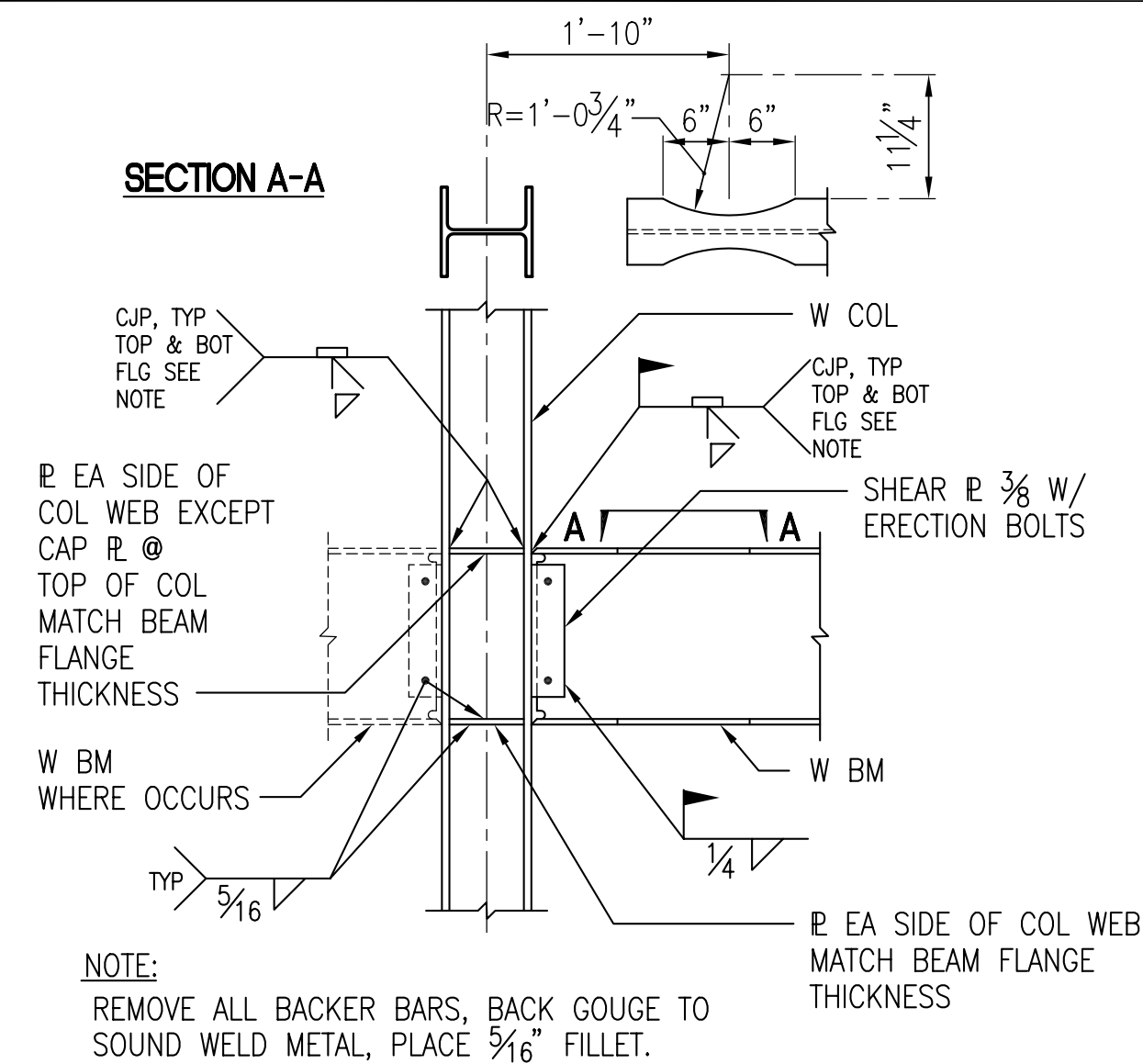


PRELIMINARY
 NOT FOR
 CONSTRUCTION



AK Fire Marshal Review No. 2004 J-0057



1 MOMENT BM TO COL FLANGE
 SCALE: 3/4" = 1'-0"

2 -
 SCALE: 3/4" = 1'-0"

3 -
 SCALE: 3/4" = 1'-0"

4 -
 SCALE: 3/4" = 1'-0"

5 -
 SCALE: 3/4" = 1'-0"

6 -
 SCALE: 3/4" = 1'-0"

7 -
 SCALE: 3/4" = 1'-0"

8 -
 SCALE: 3/4" = 1'-0"

9 -
 SCALE: 3/4" = 1'-0"

10 -
 SCALE: 3/4" = 1'-0"

11 -
 SCALE: 3/4" = 1'-0"

12 -
 SCALE: 3/4" = 1'-0"

SKAGWAY BAZAAR BUILDING

6th Avenue & Broadway
 Skagway, Alaska 99840

Number	Date	By	Description of Revisions

Sheet Title
DETAILS

Scale AS SHOWN
 Designed SMG Drawn WLG
 Date 2/9/04 Checked SMG
 Approved By DLB Job Number

Sheet Number