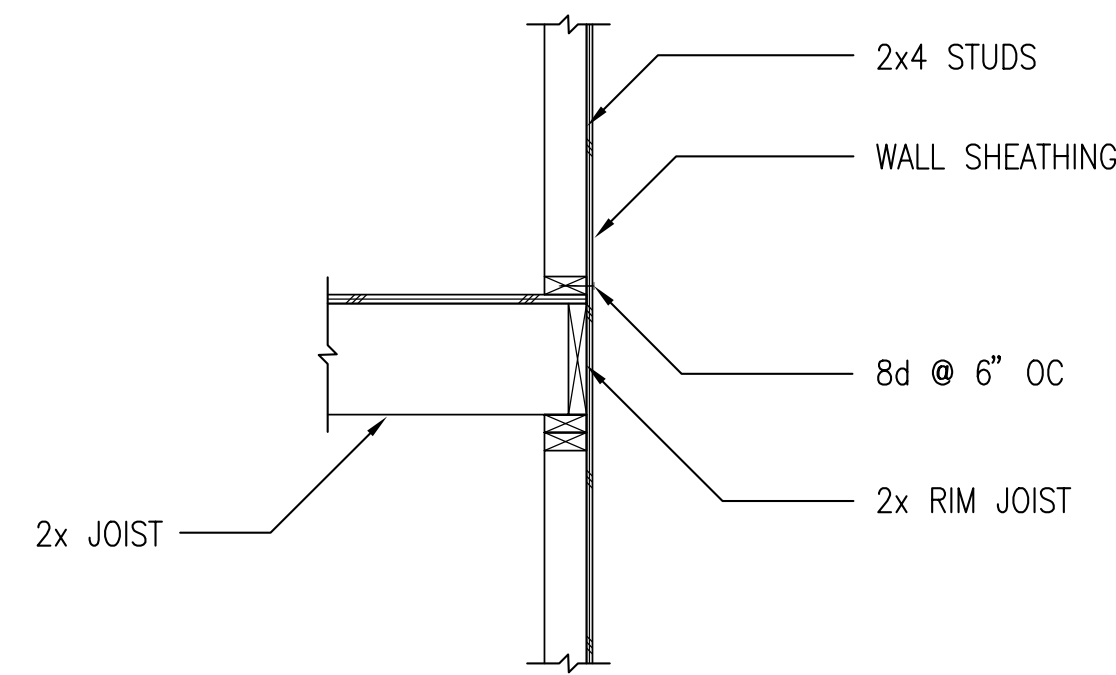


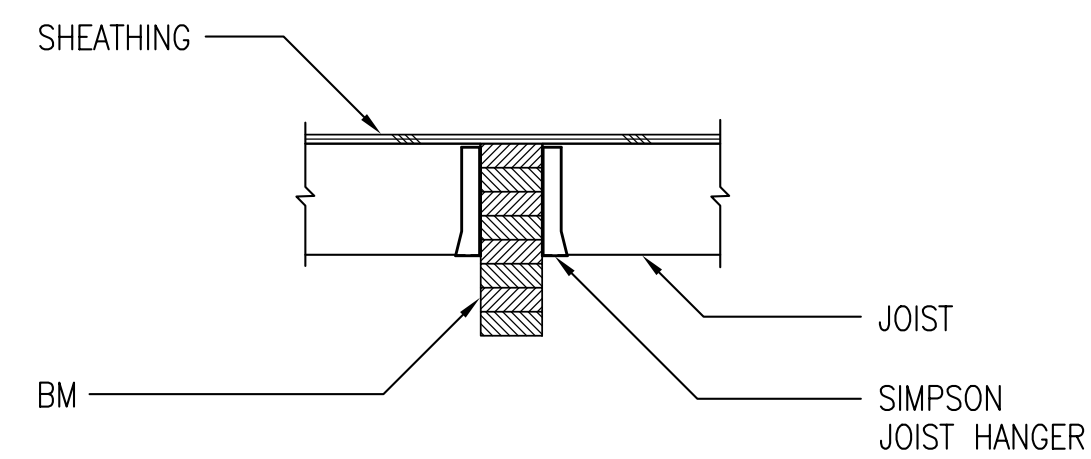
PRELIMINARY
 NOT FOR
 CONSTRUCTION



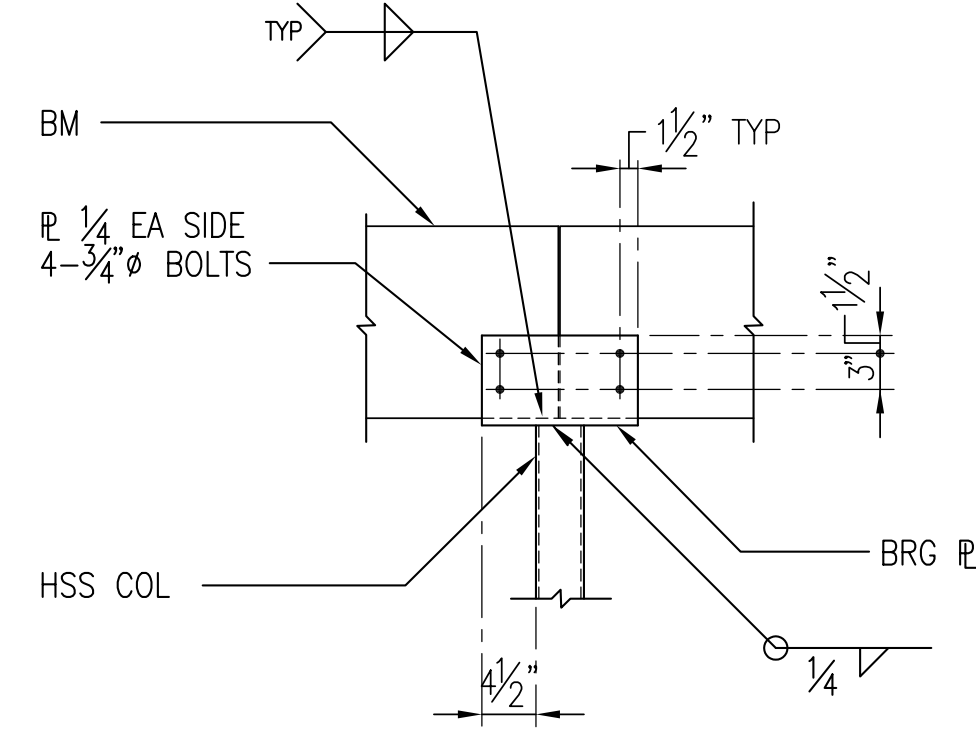
AK Fire Marshal Review No. 2004 J-0057



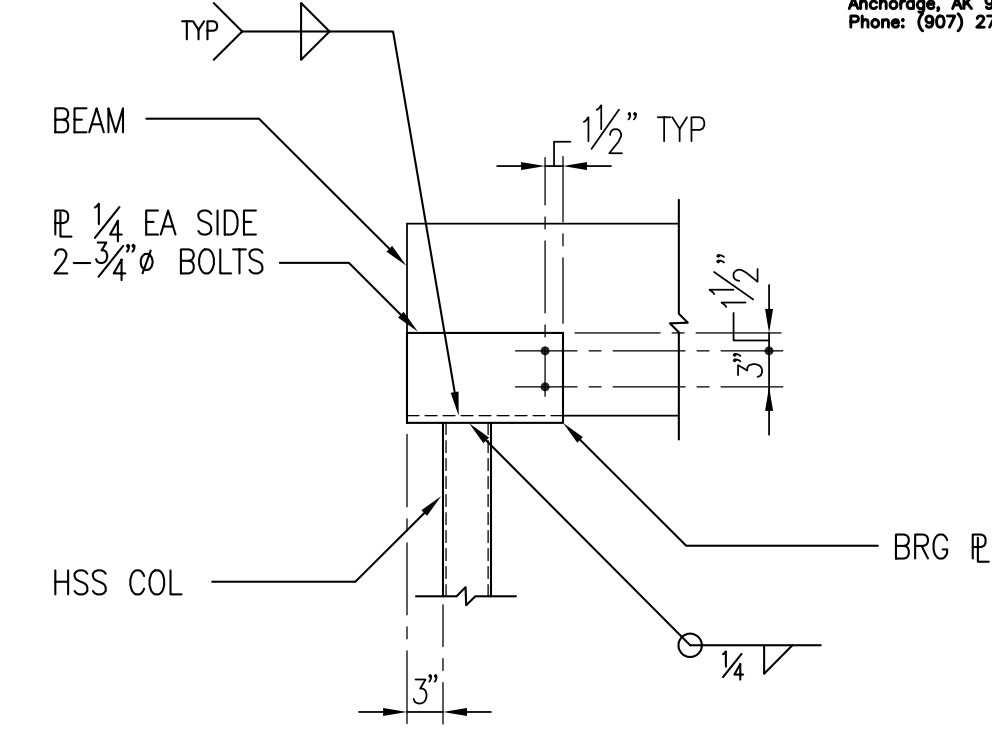
1 JOIST TO WALL
 SCALE: 3/4" = 1'-0"



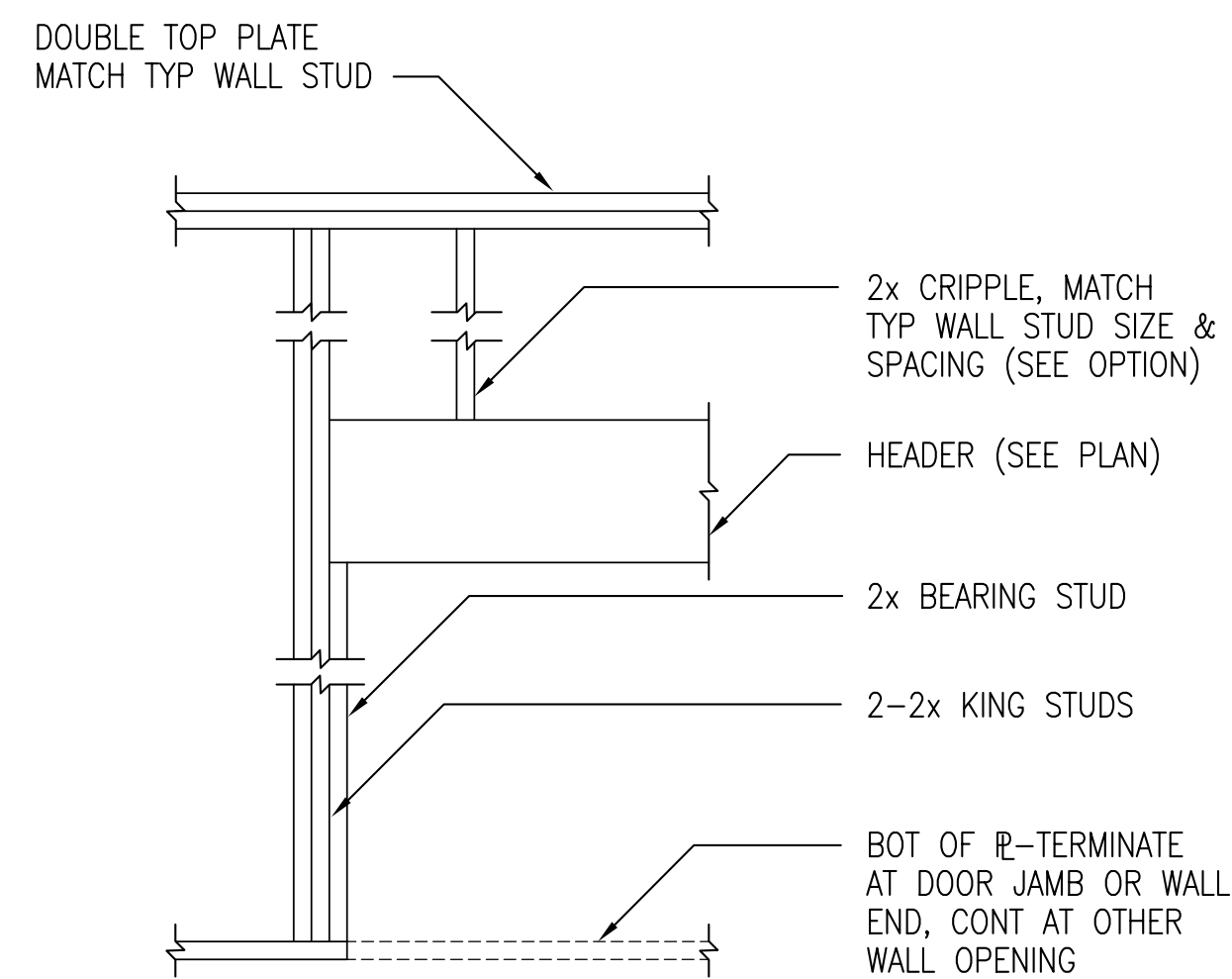
2 JOIST TO GL BEAM
 SCALE: 3/4" = 1'-0"



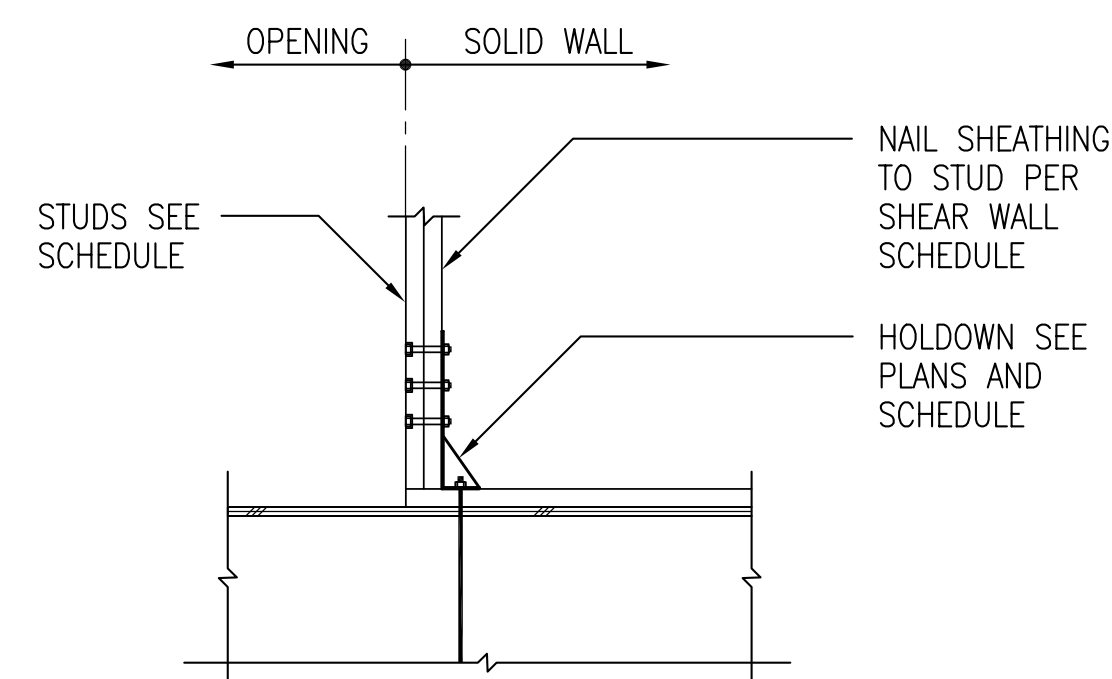
3 2 GL BEAMS TO COLUMN
 SCALE: 3/4" = 1'-0"



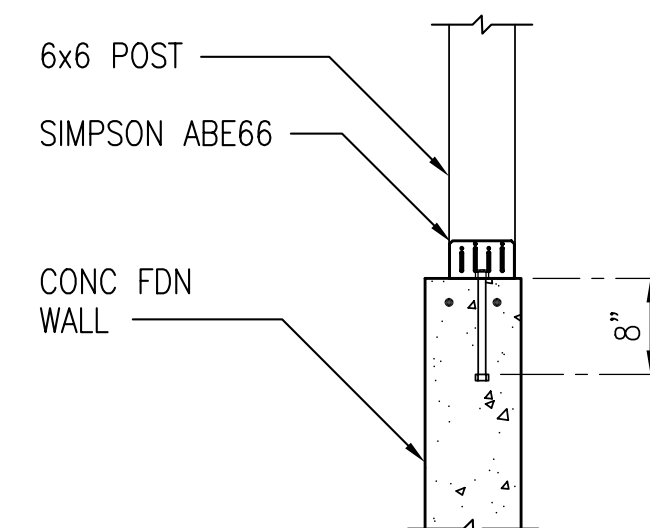
4 GL BEAM TO COLUMN
 SCALE: 3/4" = 1'-0"



5 WALL OPENING
 SCALE: 3/4" = 1'-0"



6 SHEAR WALL HOLDOWN
 SCALE: 3/4" = 1'-0"



7 6x6 POST TO FDN WALL
 SCALE: 3/4" = 1'-0"

8 -
 SCALE: 3/4" = 1'-0"

9 -
 SCALE: 3/4" = 1'-0"

10 -
 SCALE: 3/4" = 1'-0"

11 -
 SCALE: 3/4" = 1'-0"

12 -
 SCALE: 3/4" = 1'-0"

SKAGWAY BAZAAR BUILDING

6th Avenue & Broadway
 Skagway, Alaska 99840

Number	Date	By	Description of Revisions

Sheet Title
DETAILS

Scale **AS SHOWN**
 Designed **SMG** Drawn **RJW**
 Date **2/9/04** Checked **SMG**
 Approved By **DLB** Job Number

Sheet Number

PRELIMINARY NOT
 FOR CONSTRUCTION

S7
 OF