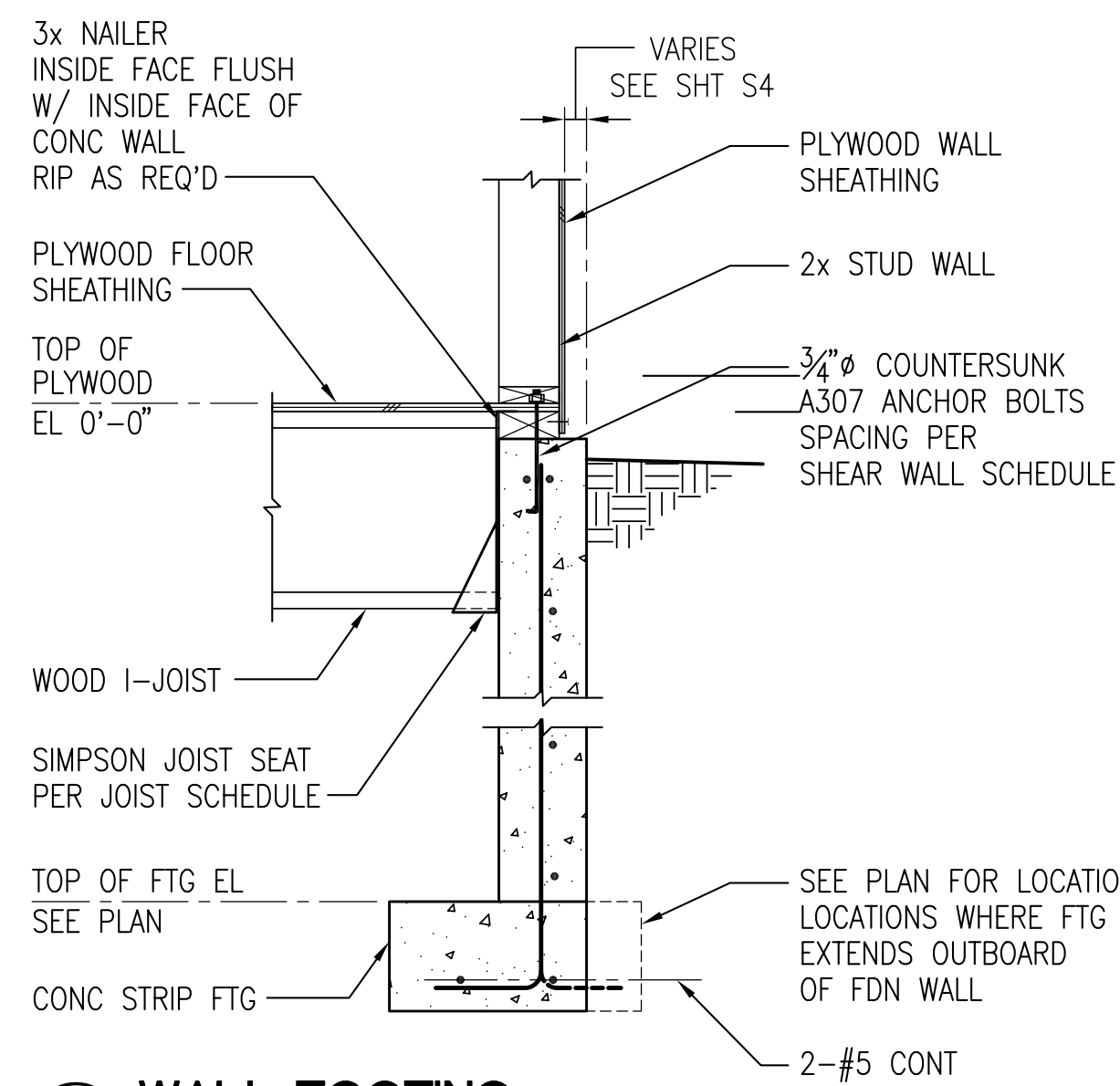


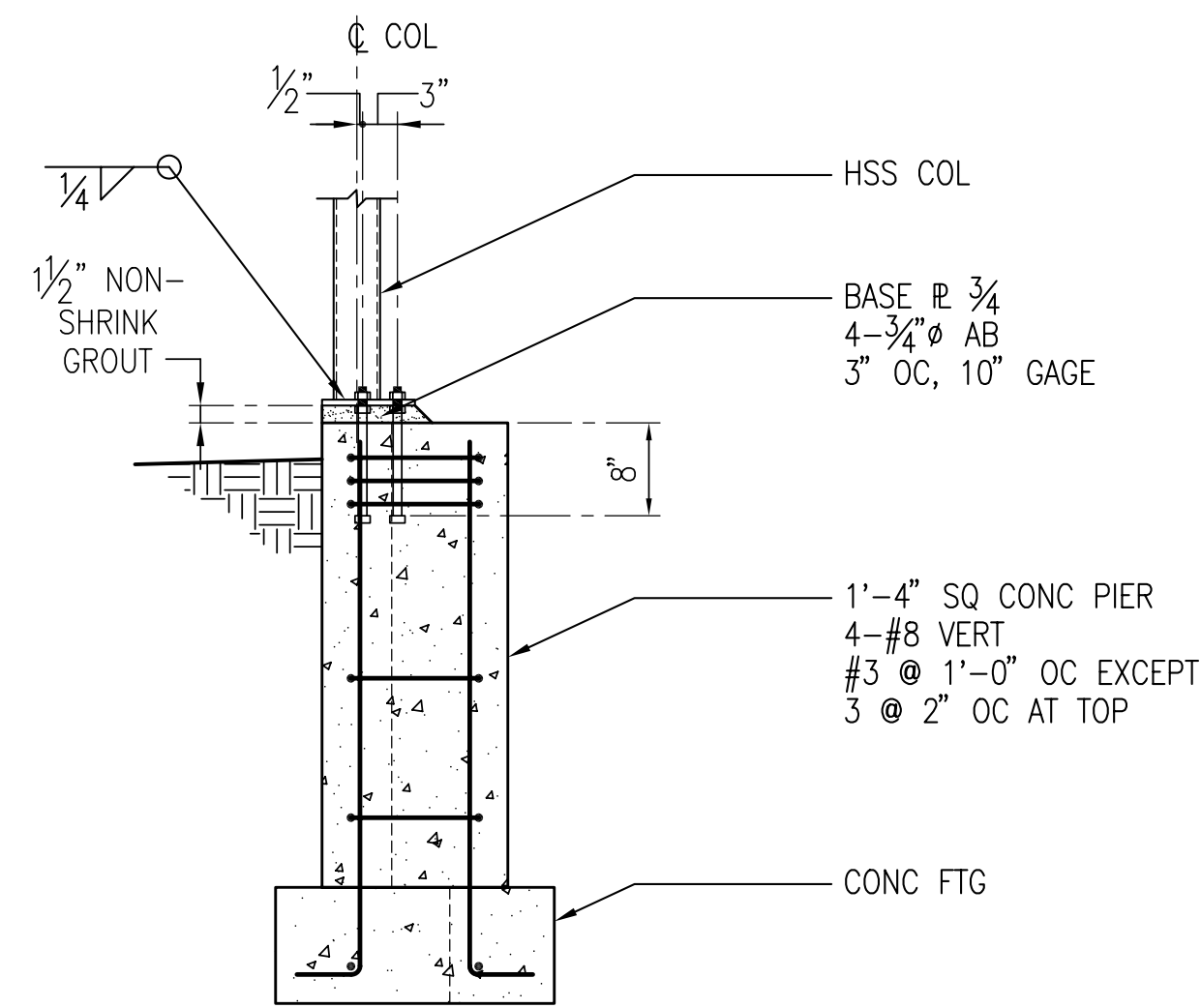
PRELIMINARY
 NOT FOR
 CONSTRUCTION



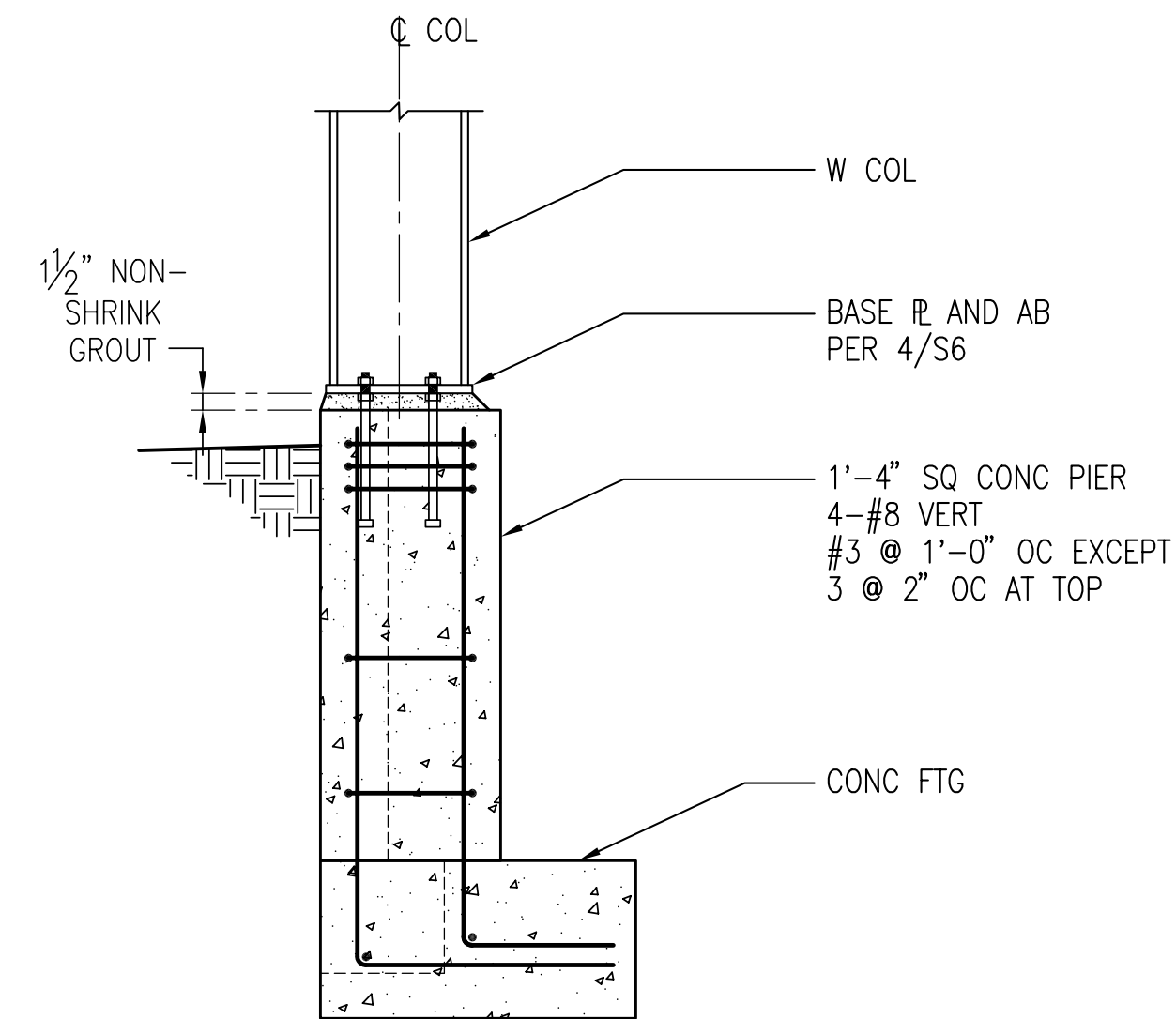
AK Fire Marshal Review No. 2004 J-0057



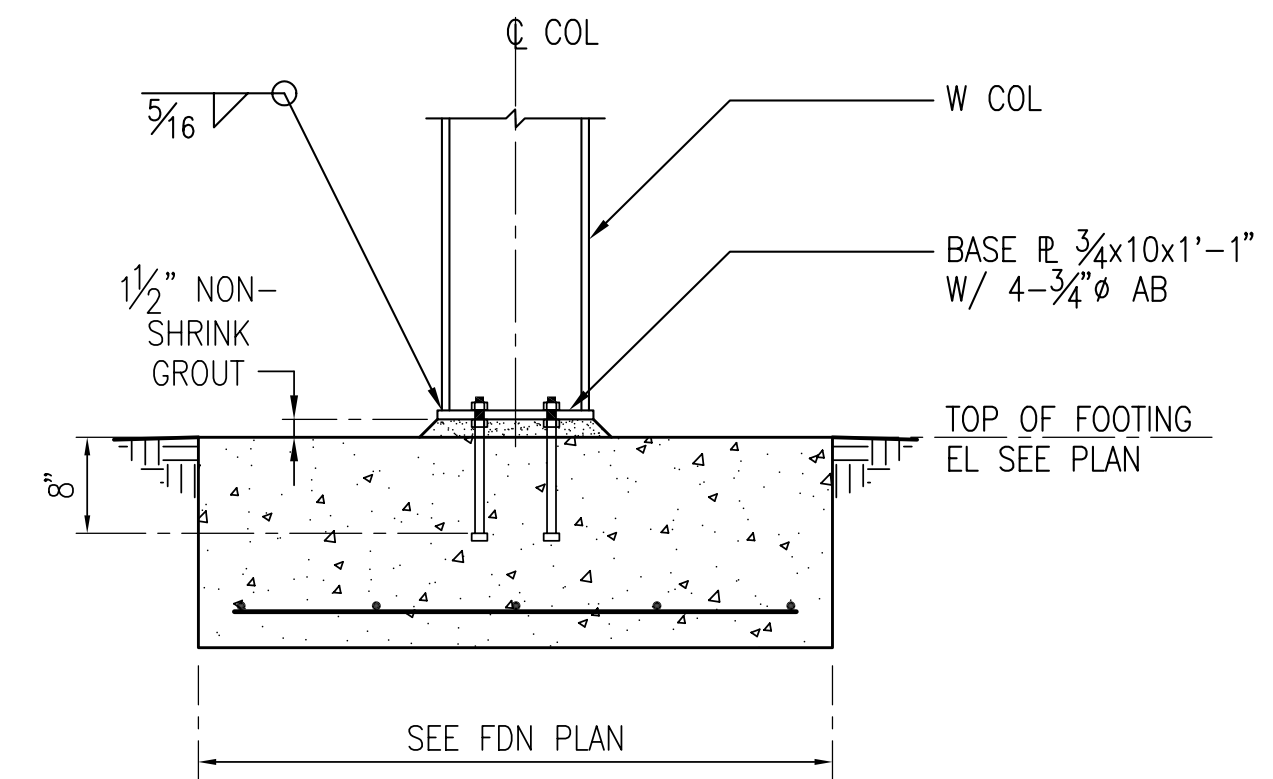
1 WALL FOOTING
 SCALE: 3/4" = 1'-0"



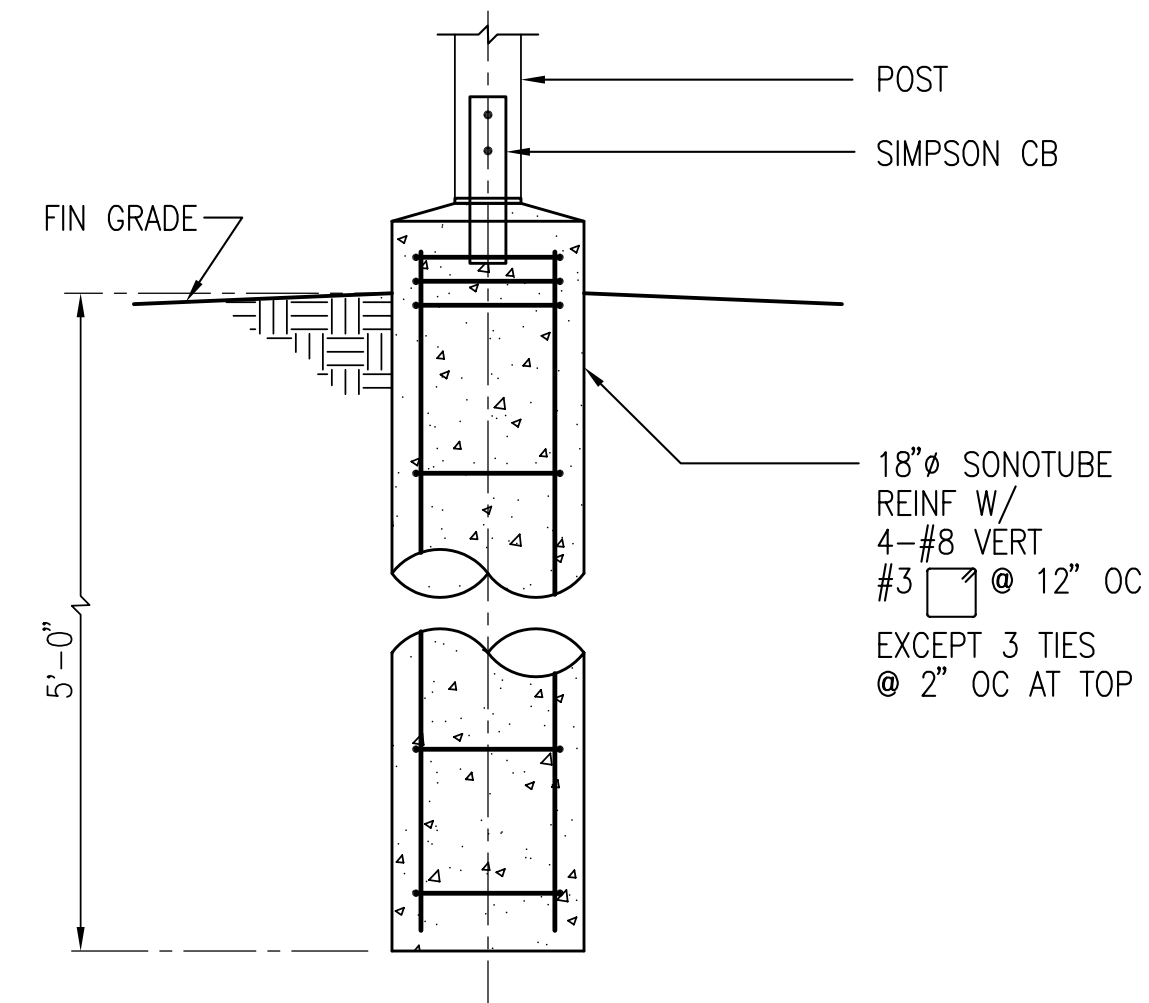
2 HSS COL TO CONC
 SCALE: 3/4" = 1'-0"



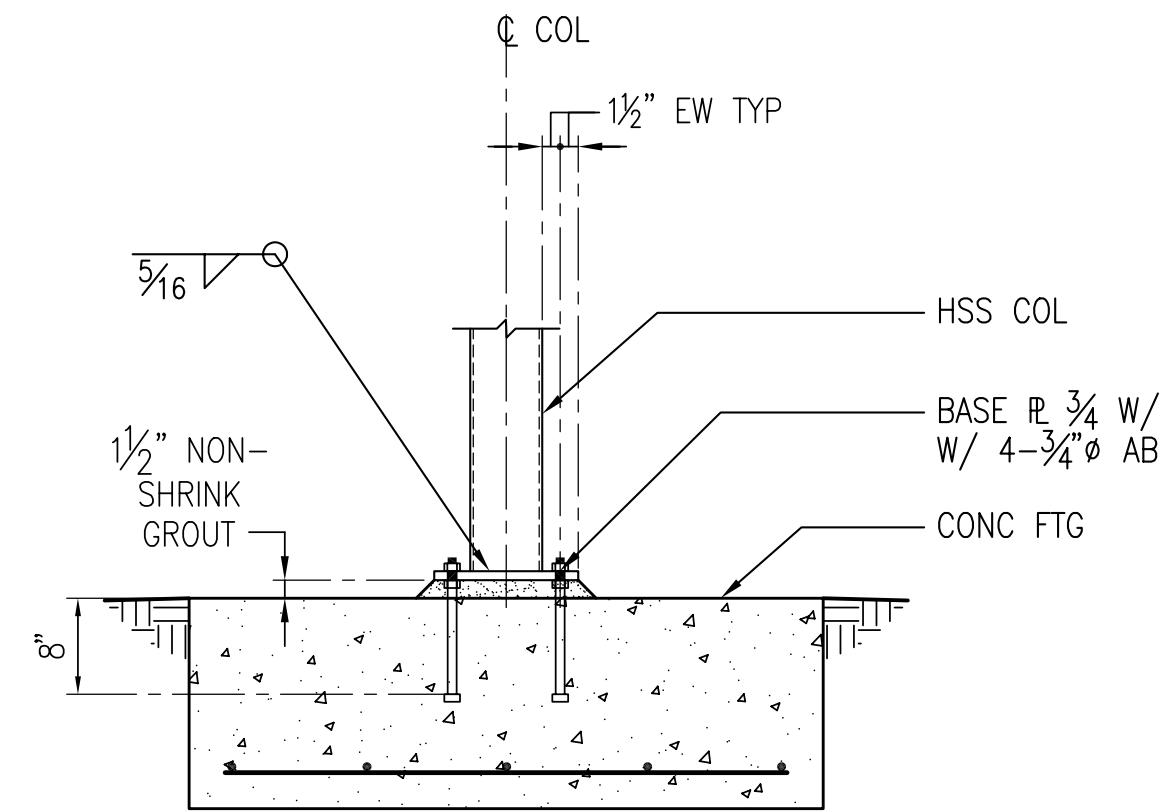
3 W COL TO CONC PIER
 SCALE: 3/4" = 1'-0"



4 INT W COL TO FOOTING
 SCALE: 3/4" = 1'-0"



**5 18\"/>
 SCALE: 3/4" = 1'-0"**



6 INT HSS COL TO FTG
 SCALE: 3/4" = 1'-0"

7 -
 SCALE: 3/4" = 1'-0"

8 -
 SCALE: 3/4" = 1'-0"

9 -
 SCALE: 3/4" = 1'-0"

10 -
 SCALE: 3/4" = 1'-0"

11 -
 SCALE: 3/4" = 1'-0"

12 -
 SCALE: 3/4" = 1'-0"

SKAGWAY BAZAAR BUILDING

6th Avenue & Broadway
 Skagway, Alaska 99840

Number	Date	By	Description of Revisions

Sheet Title
DETAILS

Scale **AS SHOWN**

Designed **SMG** Drawn **WLG**

Date **2/9/04** Checked **SMG**

Approved By **DLB** Job Number

Sheet Number

PRELIMINARY NOT
 FOR CONSTRUCTION

S6 OF