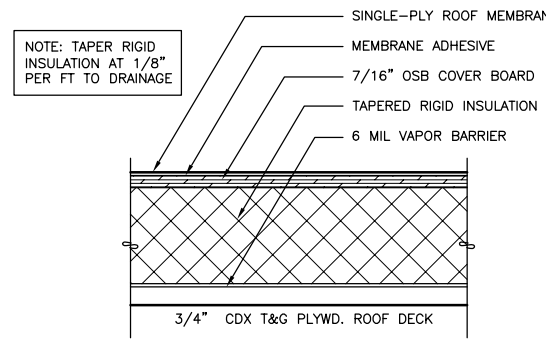




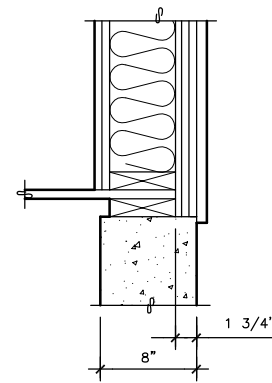
CONSTRUCTION DOCUMENTS

**SKAGWAY BAZAAR BUILDING**

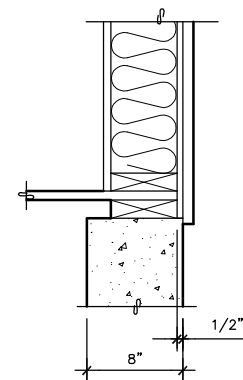
6th Avenue & Broadway  
Skagway, Alaska 99840



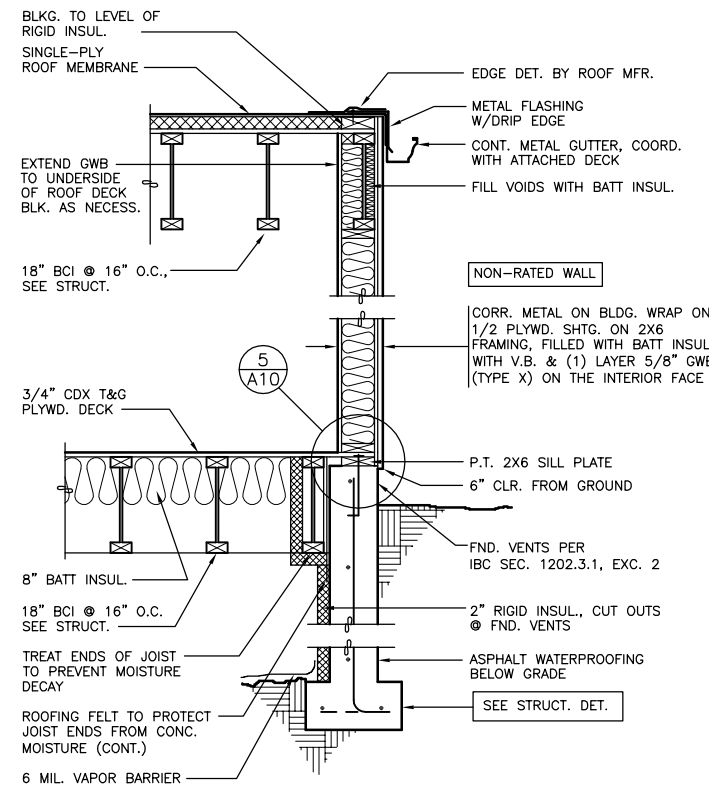
**1 TYP. ROOF DETAIL**  
SCALE: 3" = 1'-0" D:\CAD\0314



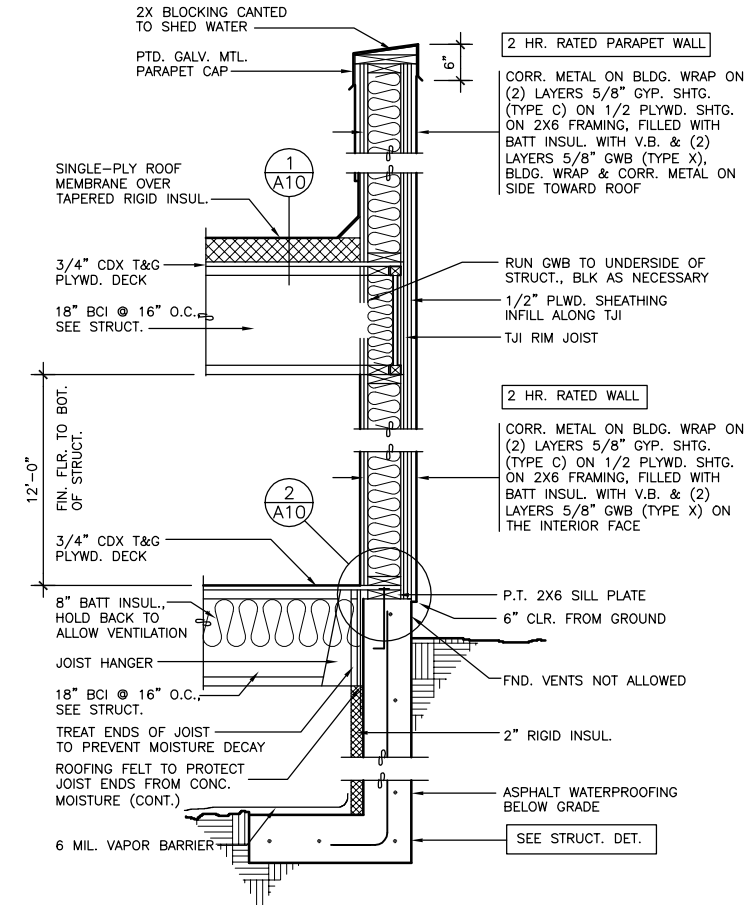
**2 FND./WALL DETAIL**  
SCALE: 1-1/2" = 1'-0" D:\CAD\0314



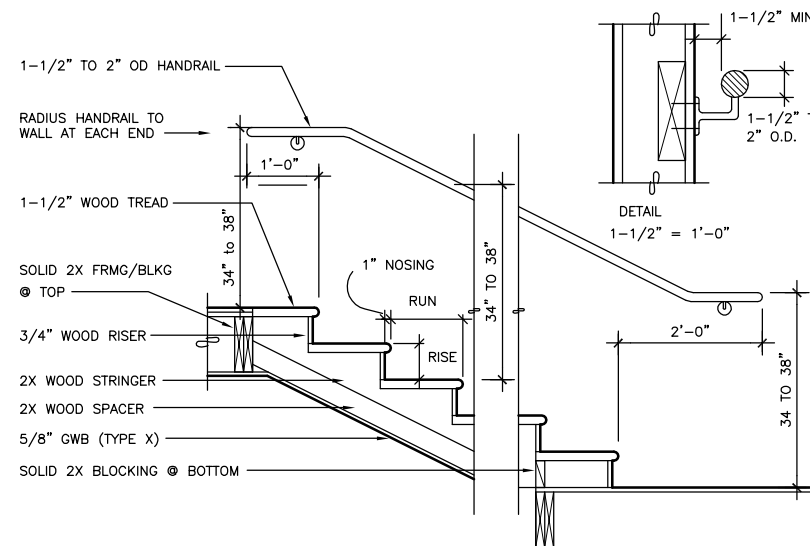
**5 FND./WALL DETAIL**  
SCALE: 1-1/2" = 1'-0" D:\CAD\0314



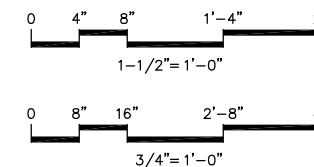
**3 WALL SECTION**  
SCALE: 3/4" = 1'-0" D:\CAD\0314



**4 WALL SECTION**  
SCALE: 3/4" = 1'-0" D:\CAD\0314



**6 STAIR/HANDRAIL DETAIL**  
SCALE: 3/4" = 1'-0" D:\CAD\0314



Number	Date	By	Description of Revisions

Sheet Title  
**WALL SECTIONS  
DETAILS**

Scale AS SHOWN (HALF SCALE AT 11X17)

Designed AER Drawn AER

Date MARCH 18, 2004 Checked AER

Approved By AER Job Number 0314

Sheet Number